

# NAVIDENT

Precise. Efficient. Versatile



Expand your surgical expertise

Less trauma for your patients

Save precious time

## Dynamic Navigation for Dental Surgery

### Guided implantology



Plan and immediately precisely execute implant placement in partial and fully edentulous jaws. Reliably detect important anatomical structures

### Guided bone surgery



High-precision navigation of your piezotome / bone saw, enables accurate assessment and predictable outcomes.

### Guided endodontics



Preserve tooth structure and accurately locate calcified canals. Precise apicoectomy with a minimally invasive osteotomy, avoiding iatrogenic errors.

Predictable results delivered efficiently  
across multiple specialties

# Technical data

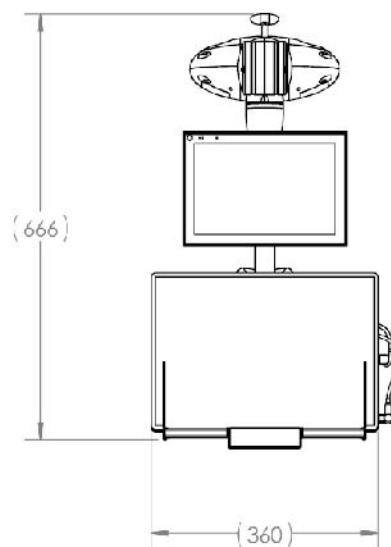
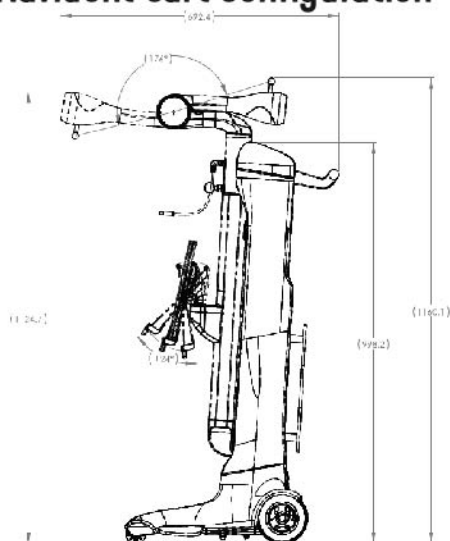
Camera system	<ul style="list-style-type: none"> <li>- 3X higher resolution for smaller-sized tag recognition and low latency</li> <li>- Optional add on: Robotic motorized camera for autofocus, tracking and optimized field of view maintenance</li> </ul>
User interface	<ul style="list-style-type: none"> <li>- Place dental implants with precision and predictability</li> <li>- Guided endodontics for accurate access cavity preparations</li> <li>- Optional add on: Piezotome bone surgery to perform treatments with confidence</li> </ul>
Hardware parts	<ul style="list-style-type: none"> <li>- Small-sized autoclavable hardware parts to precisely track surgical instruments</li> </ul>
Patient registration	<ul style="list-style-type: none"> <li>- Trace registration - no second scan needed - trace in chair.</li> <li>- Impression registration - using a fiducial while scanning the patient - instant in chair.</li> <li>- Pair-Point registration - using bone screws - touch in chair.</li> <li>- Optional add on: automatic drill tip calibration in combination with any registration method</li> </ul>
Workflow	<ul style="list-style-type: none"> <li>- Less overhead with registration options for any case scenario, including a new impression registration concept</li> <li>- Enhanced 3D rendering to facilitate treatment planning</li> <li>- Low procedure costs</li> </ul>
Communication	<ul style="list-style-type: none"> <li>- Import and export tools to communicate with third-party programs and/or dental labs</li> <li>- Optional add on: integrated portal for communication with peers or Navident support</li> </ul>
Suspension system	<ul style="list-style-type: none"> <li>- Mobile cart that allows to move the Navident system to alternate treatment rooms, eliminating the cost of wall or ceiling preparations</li> <li>- Wall mount system with balancing arm to give users freedom in positioning the camera and screen*</li> <li>- Ceiling mount system with balancing arm to give users freedom in positioning the camera and screen*</li> </ul>
Ergonomics	<ul style="list-style-type: none"> <li>- Elevate, tilt or move the Navident to allow for a standing or seating position</li> <li>- 360 degree handpiece tracker for the treatment of more complex, i.e. all-on-x cases</li> <li>- Compatible with inclined and supine positions</li> </ul>

\* Wall or ceiling preparations are not included

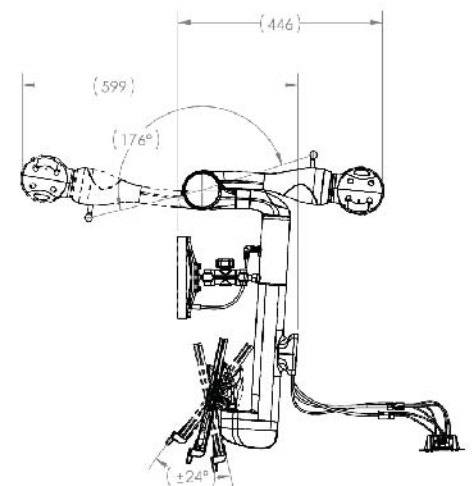
## Configurations

The right solution for each dental practice thanks to different system options. A highly compact instrument with a small footprint, Navident 4 fits seamlessly into virtually any practice workflow environment.

### Navident cart configuration



### Navident mount configuration



75x75mm standard VESA mount - weight: 7kg

Try Navident's precision guidance for yourself.

CONTACT US Call: +1 (647) 951-1525 or Email: [info@claronav.com](mailto:info@claronav.com)  
1140 Sheppard Avenue West Unit 10, Toronto, Ontario, Canada M3K 2A2