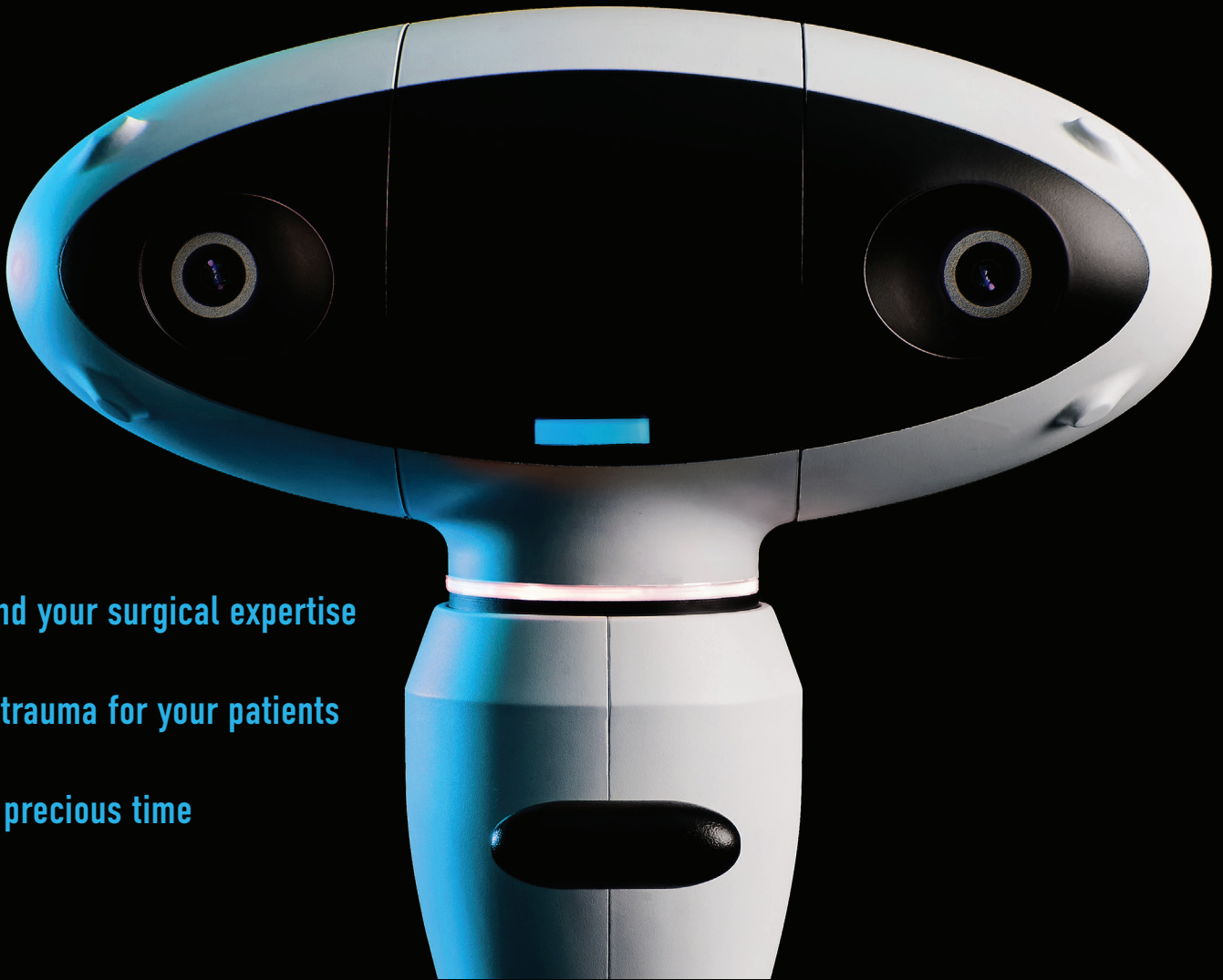


NAVIDENT

Precise. Efficient. Versatile



Expand your surgical expertise

Less trauma for your patients

Save precious time

Single implants



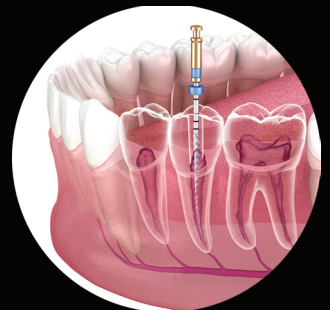
Multiple implants



Fully Edentulous Implants



Endodontic treatment



Precision Dentistry

Technical data

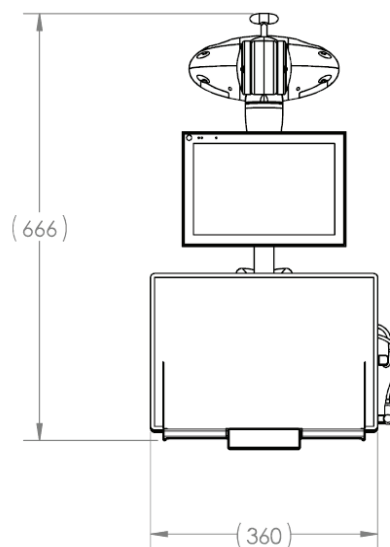
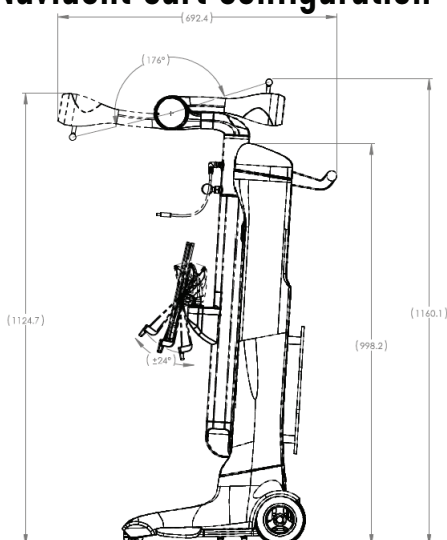
Camera system	<ul style="list-style-type: none">- 3X higher resolution for smaller-sized tag recognition and low latency- Optional add on: Robotic motorized camera for autofocus, tracking and optimized field of view maintenance
User interface	<ul style="list-style-type: none">- Place dental implants with precision and predictability- Guided endodontics for accurate access cavity preparations- Optional add on: Piezotome bone surgery to perform treatments with confidence
Hardware parts	<ul style="list-style-type: none">- Small-sized autoclavable hardware parts to precisely track surgical instruments
Patient registration	<ul style="list-style-type: none">- Trace registration - no second scan needed - trace in chair.- Impression registration - using a fiducial while scanning the patient - instant in chair.- Pair-Point registration - using bone screws - touch in chair.- Optional add on: automatic drill tip calibration in combination with any registration method
Workflow	<ul style="list-style-type: none">- Less overhead with registration options for any case scenario, including a new impression registration concept- Enhanced 3D rendering to facilitate treatment planning- Low procedure costs
Communication	<ul style="list-style-type: none">- Import and export tools to communicate with third-party programs and/or dental labs- Optional add on: integrated portal for communication with peers or Navident support
Suspension system	<ul style="list-style-type: none">- Mobile cart that allows to move the Navident system to alternate treatment rooms, eliminating the cost of wall or ceiling preparations- Wall mount system with balancing arm to give users freedom in positioning the camera and screen*- Ceiling mount system with balancing arm to give users freedom in positioning the camera and screen*
Ergonomics	<ul style="list-style-type: none">- Elevate, tilt or move the Navident to allow for a standing or seating position- 360 degree handpiece tracker for the treatment of more complex, i.e. all-on-x cases- Compatible with inclined and supine positions

* Wall or ceiling preparations are not included

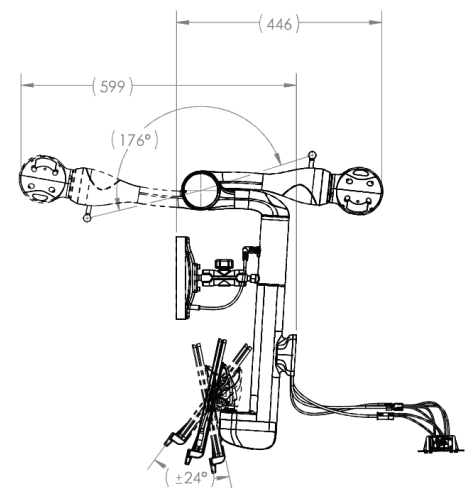
Configurations

The right solution for each dental practice thanks to different system options. A highly compact instrument with a small footprint, Navident 4 fits seamlessly into virtually any practice workflow environment.

Navident cart configuration



Navident mount configuration



75x75mm standard VESA mount - weight: 7kg

Try Navident's precision guidance for yourself.
Call 1 (844) 628-4336 or email info@claronav.com
navident.claronav.com